

Detail floor slab reinforcement

تفاصيل تسليح بلاطة السقف

Section C-C
Scale 1/50

Section A-A

Scale 1/50

Section B-B

Scale 1/50

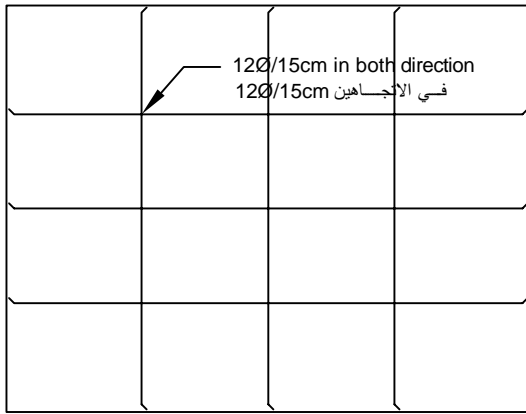
تسليح الجدار حول البئر
سمائة 60 سم ثلاث طبقات كل
طبقة 6 بالمتر 12 ملم

ملاحظة تسليح الفرقات داخل
البئر سمانة 15 سم 6 قطر 12 ملم
محيطي ومثلها بالاتجاه الراسي
شبكة تسليح واحدة

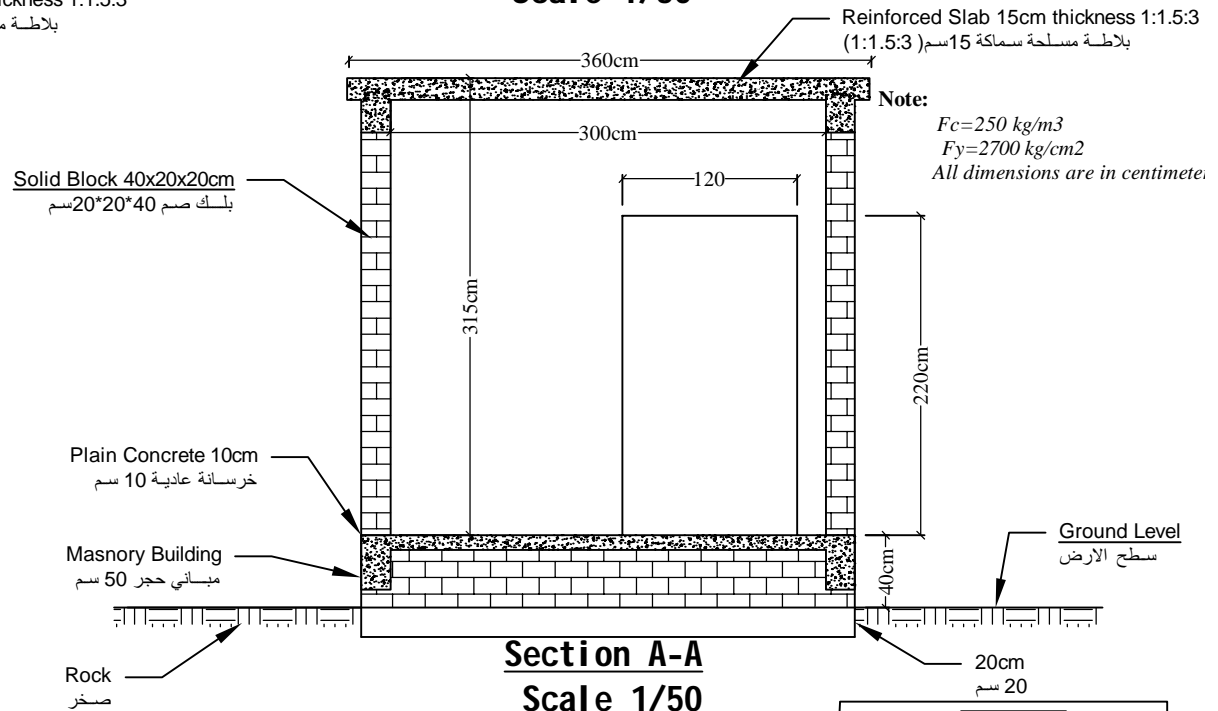
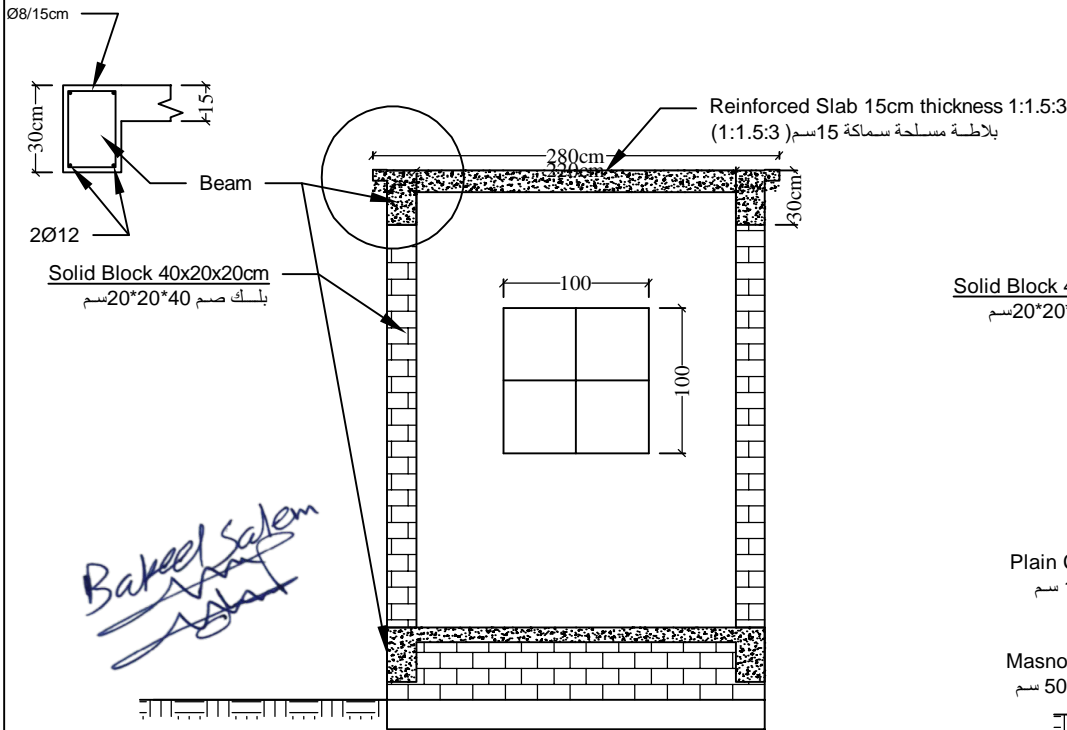
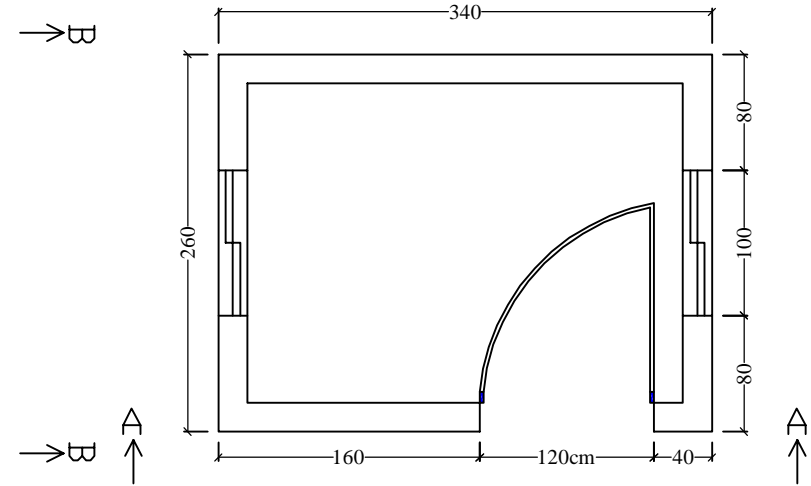
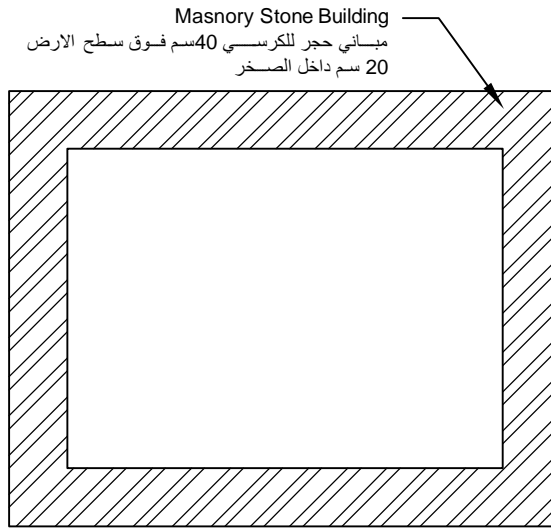
Reinforced Concrete
فرمة خرسانية مسلحة

Masonry stone without mortar
مباني حجر عادي بدون مونة اسمنتية لتبطين البئر

Bakeel Salem



Reinforced of Floor Slab
Scale 1/50



Promoting Resilience and Social Cohesion Through an Integrated Response to Vulnerable Communities in Yemen

15DKY-Lahj	District:	Project Name: Water Project of Al Askariha City	
	Habil Jaber - Al Askariha	Name Sheet: Pumping Room.	No. of Sheet: 2

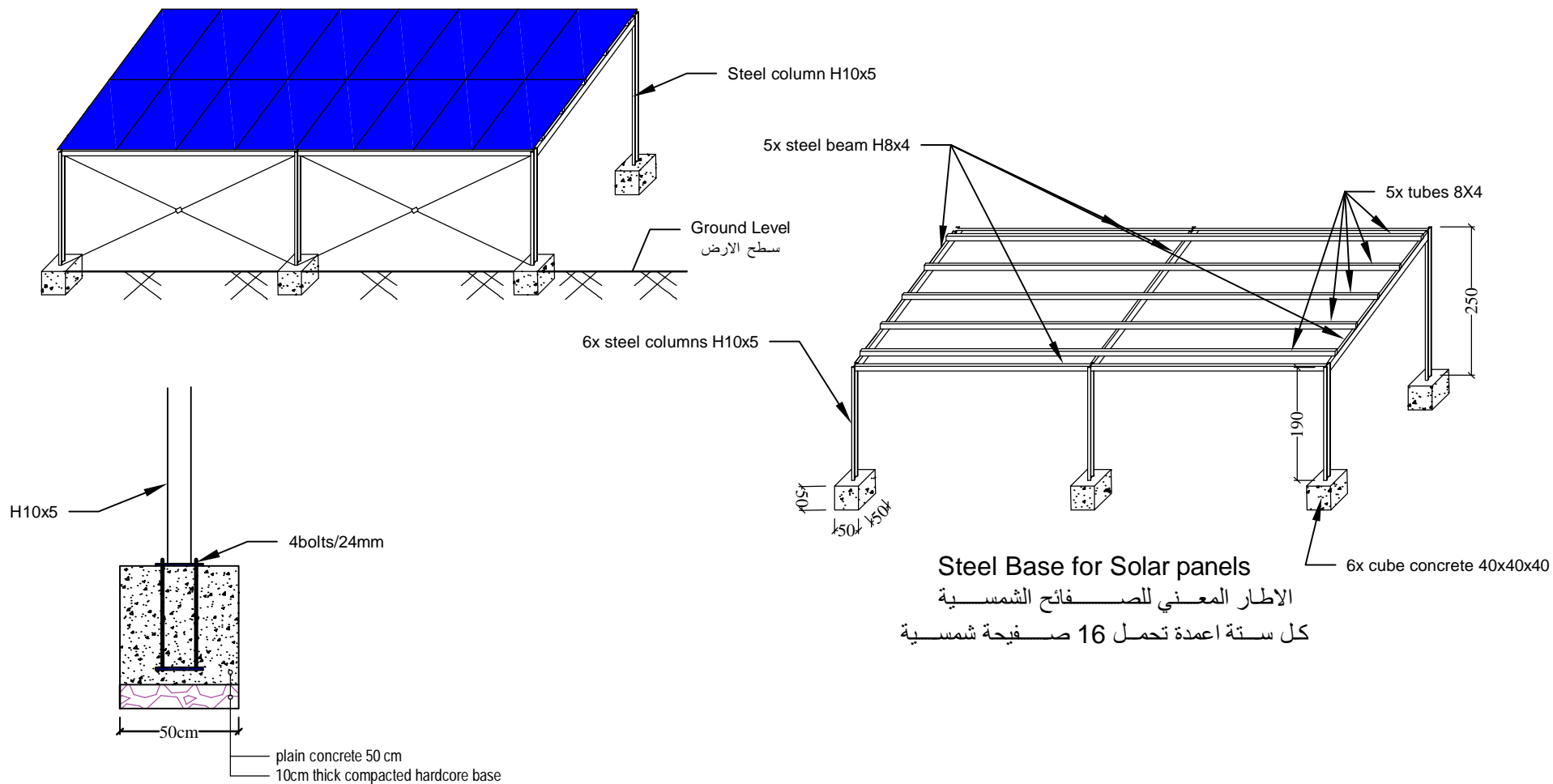
Designed and drawn by:
WASH Engineer / Bakeel Salem

Approved by:
WASH Coordinator / Sohaib NASIR



Funded by
the European Union





Steel Base for Solar panels
 الاطار المعني للصفائح الشمسية
 كل ستة اعمدة تحمل 16 صفيحة شمسية

Bakeel Salem

Promoting Resilience and Social Cohesion Through an Integrated Response to Vulnerable Communities in Yemen

15DKY-Lahj

District:
Habil Jaber

Project Name: Water Project of Al Askariha City

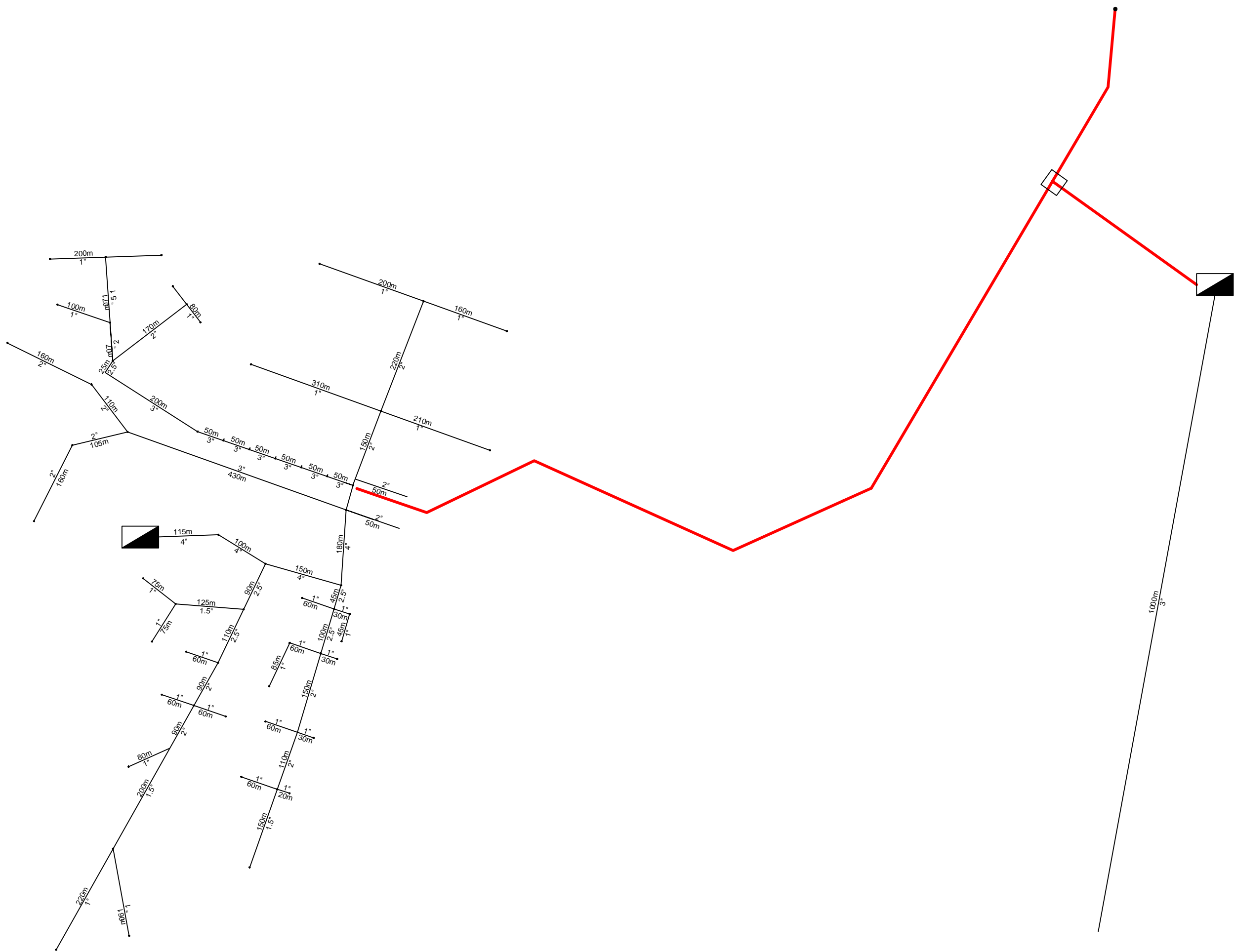
Designed and drawn by:
WASH Engineer / Bakeel Salem

Approved by:
WASH Coordinator / Sobaih NASIR



Funded by
the European Union





Bakeel Salem
[Signature]

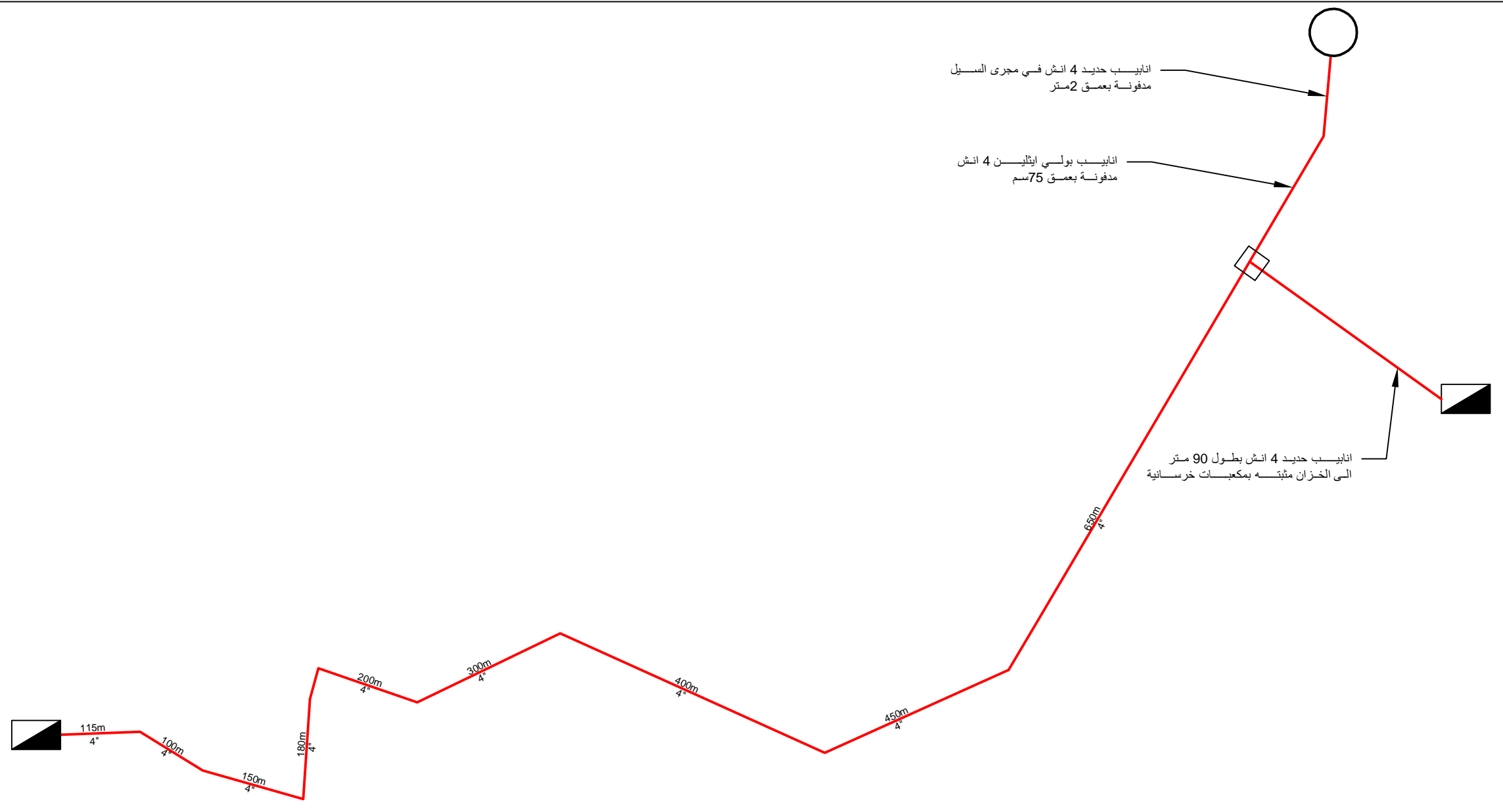
A3

Promoting Resilience and Social Cohesion Through an Integrated Response to Vulnerable Communities in Yemen			
15DKY-Lahj	District: Habil Jaber - Al Askariha	Project Name: Water Project of Al Askariha City	

Designed and drawn by:
 WASH Engineer / Bakeel Salem

Approved by:
 WASH Coordinator / Sohaib NASIR





انابيب حديد 4 انش في مجرى السيل
مدفونة بعمق 2 متر

انابيب بولي ايثاين 4 انش
مدفونة بعمق 75 سم

انابيب حديد 4 انش بطول 90 متر
الى الخزان مثبتة بمكعبات خرسانية

Bakeel Salem

A3

Promoting Resilience and Social Cohesion Through an Integrated Response to Vulnerable Communities in Yemen	
15DKY-Lahj	District: Habil Jaber - Al Askariha
Project Name: Water Project of Al Askariha City	
State of Yemen	No. of Sheets

Designed and drawn by:
WASH Engineer / Bakeel Salem

Approved by:
WASH Coordinator / Sohaib NASIR

