

Bakeel Salem
مهندس

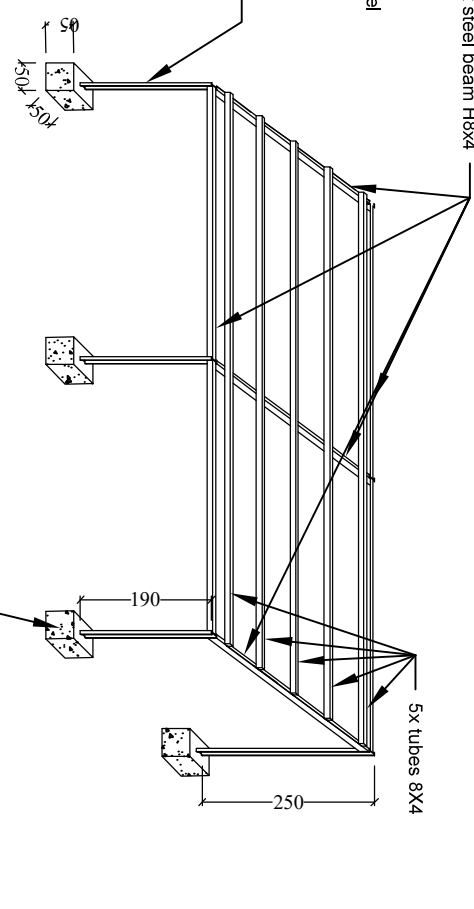
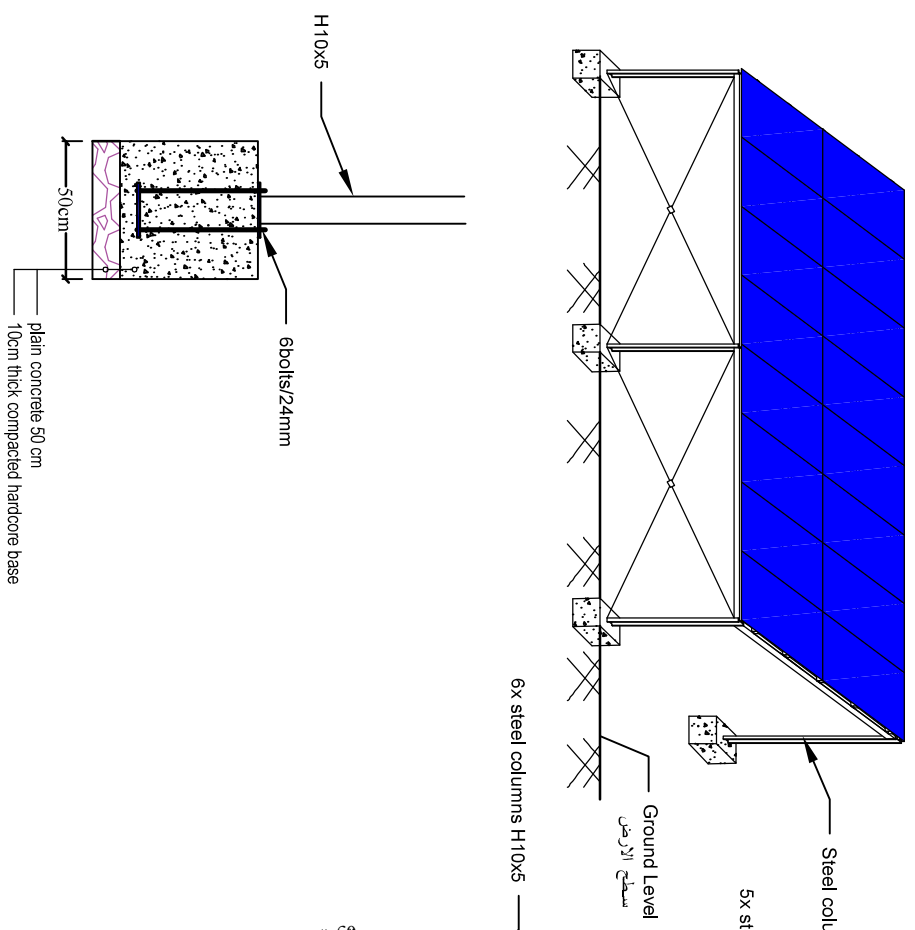
Schematic diagram of the network Required
 مخطط توصيفي للشبكة المراد تاهيلها

Direct Pumping - Without Tank
 ضخ مباشر - بدون خزان

Promoting Resilience and Social Cohesion Through an Integrated Response to Vulnerable Communities in Yemen	
15DKY-Lahj	District: Tuban
Project Name: Rehabilitation of Water Sources in Tahrur	
Name Sheet: Water Network	
No. of Sheet: 1	

Designed and drawn by:	WASH Engineer / Bakeel Salem
Approved by:	WASH Coordinator / Sohaib NASIR





Steel Base for Solar panels
الإطار المعني للمفتاح الشمسية

كل سنة اعادة تجميل 16 صفحة شمسية

Bakeel Salem
Sohab

Promoting Resilience and Social Cohesion Through an Integrated Response to Vulnerable Communities in Yemen			
15DKY - Lahj	District: Tuban	Project Name: Rehabilitation of Water Sources in Tahrur	Name Sheet: Frame of Solar Panels
		No. of Sheet: 2	

Designed and drawn by:	WASH Engineer / Bakeel Salem
Approved by:	WASH Coordinator / Sohab NASIR

