



**SRP - office
Sponsorship**

Project Name:
School Boundary wall

Drawing Title:
Details

Design By : MoE
Standard School
Design in Afghanistan

Drawing Scale :
1 : 100 in dimension

Scale :
Free Scale

Drawing By :
Ahmad Khalid 'Raji'
Construction 'Eng'

Project Location :
Sar-i-Pul Province

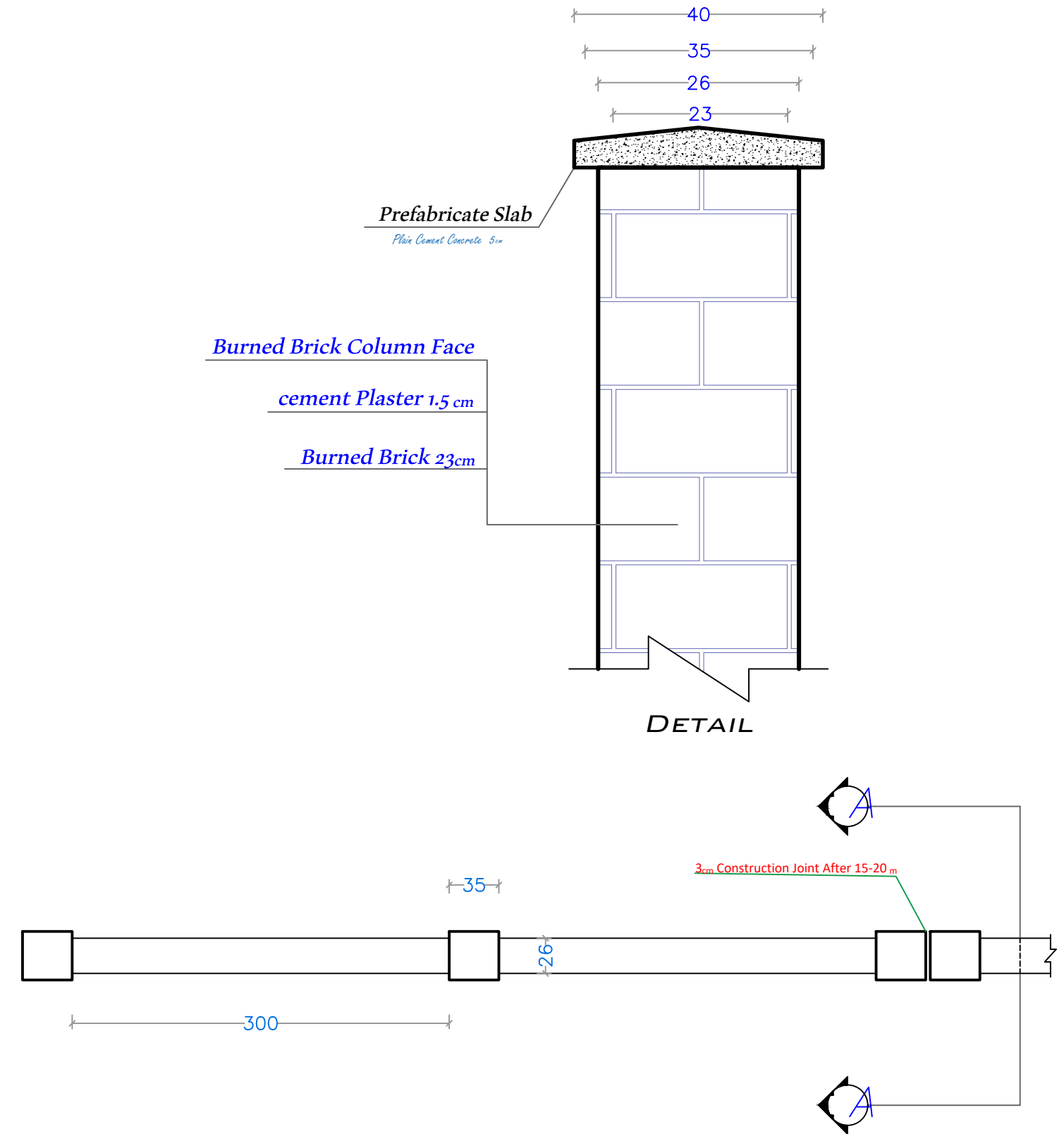
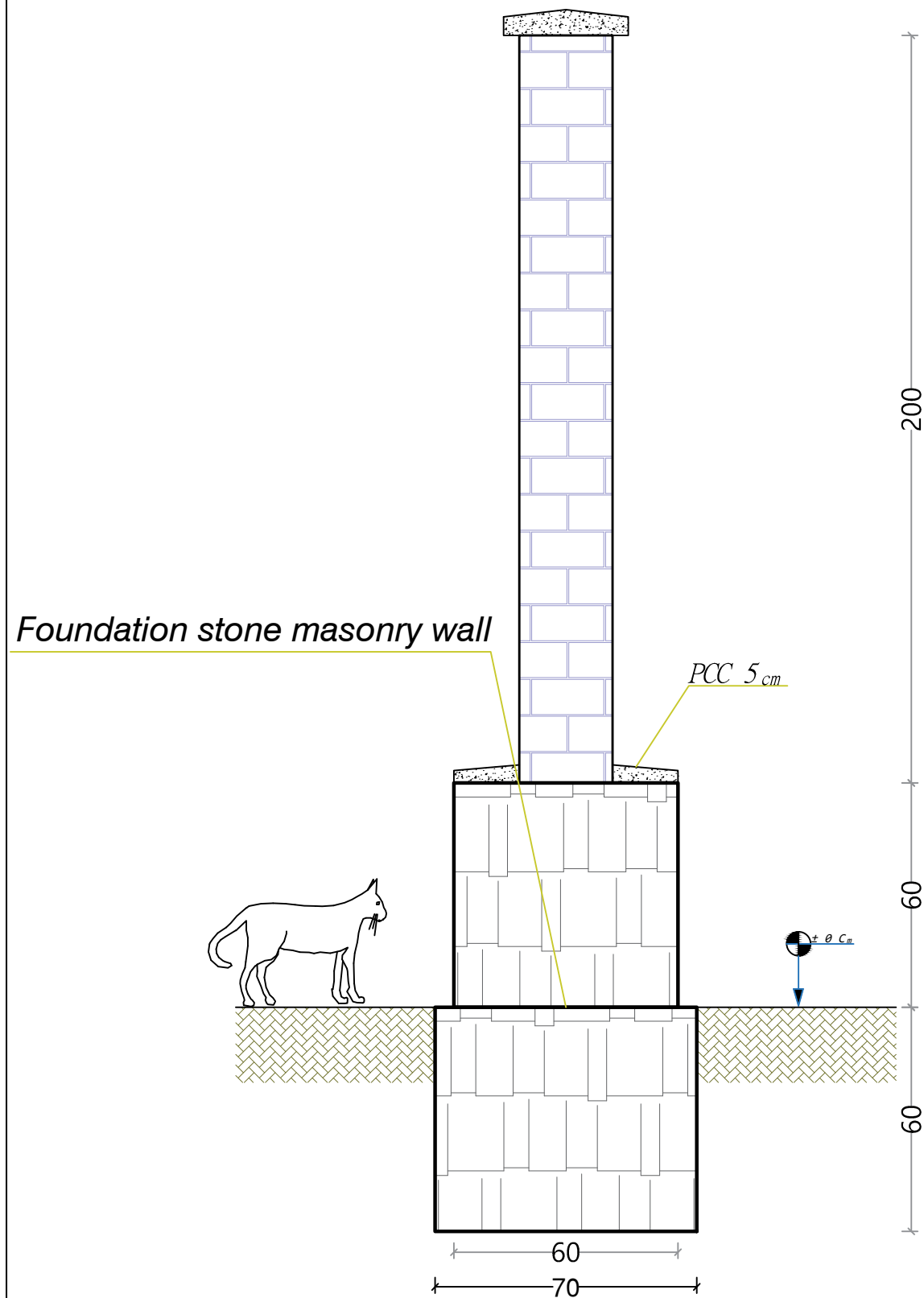
Checked By :

Approved By :

Date :
2023-1402

Signature:

Section A-A



Foundation stone masonry wall

PCC 5 cm

Prefabricate Slab
Plain Cement Concrete 5cm

Burned Brick Column Face

cement Plaster 1.5 cm

Burned Brick 23cm

DETAIL

3m Construction Joint After 15-20 m



**SRP - office
Sponsorship**

*Project Name:
School Boundary wall*

*Drawing Title:
Details*

*Design By : MoE
Standard School
Design in Afghanistan*

*Drawing Scale :
1 : 100 in dimension*

*Scale :
Free Scale*

*Drawing By :
Ahmad Khalid 'Raji'
Construction 'Eng'*

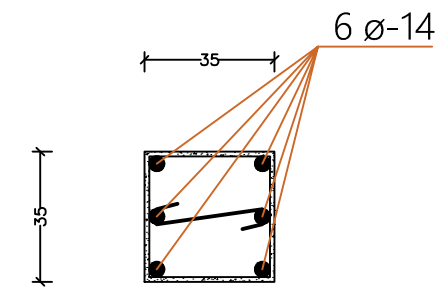
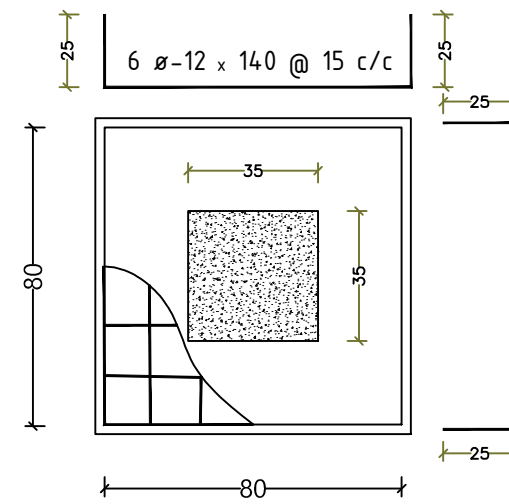
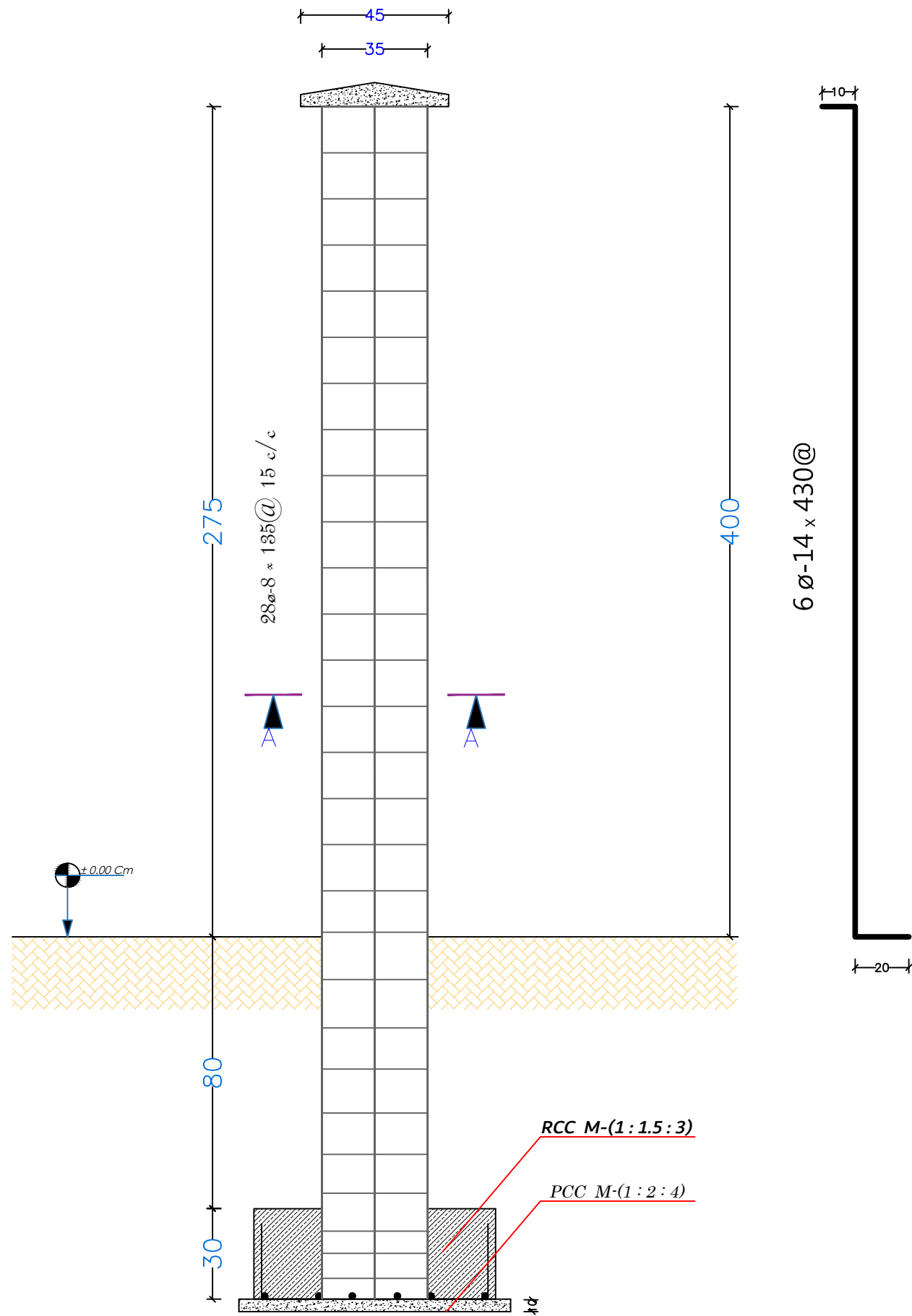
*Project Location :
Sar-i-Pul Province*

Checked By :

Approved By :

*Date :
2023-1402*

Signature:



Section A-A

