



Save the Children
Sponsorship
Program

Project Name:
School Boundary wall

Drawing Title:
Boundary Wall

Design By :
MoE Standard

Drawing Scale :
1 : 100 in dimension

Scale :
Free Scale

CAD:
Ahmad Khalid Raji
Civil Engineer

Project Location :
Sponsorship Targeted
Schools

Checked By :

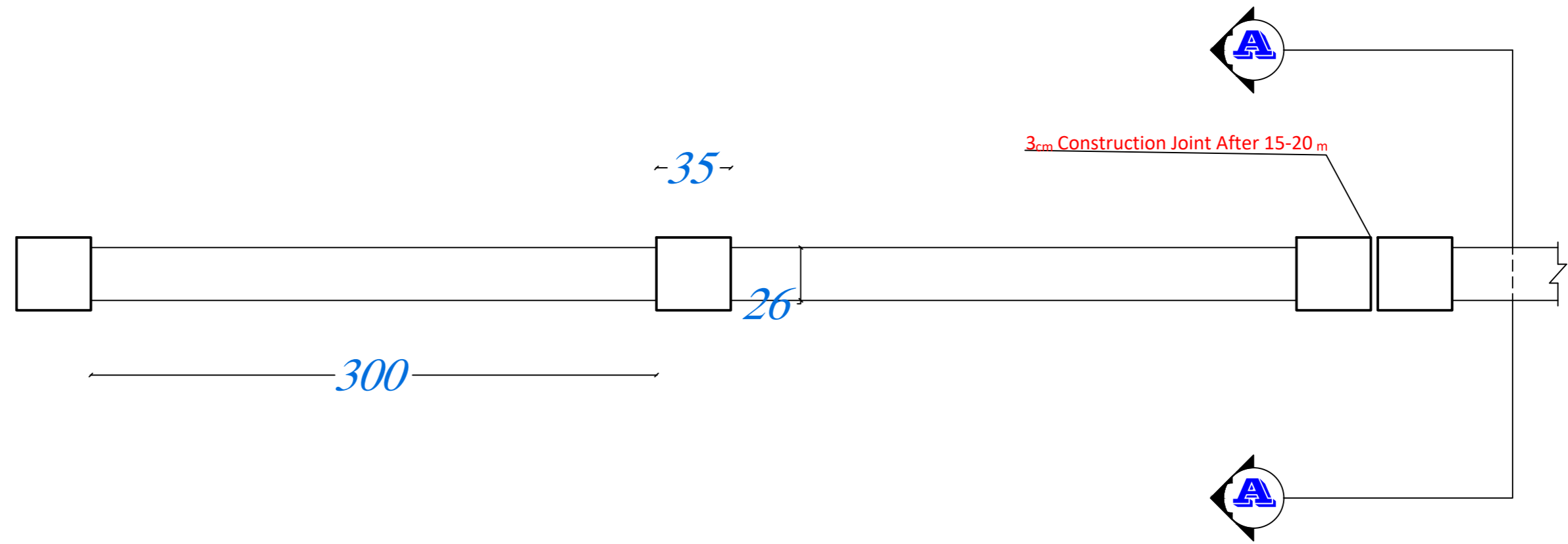
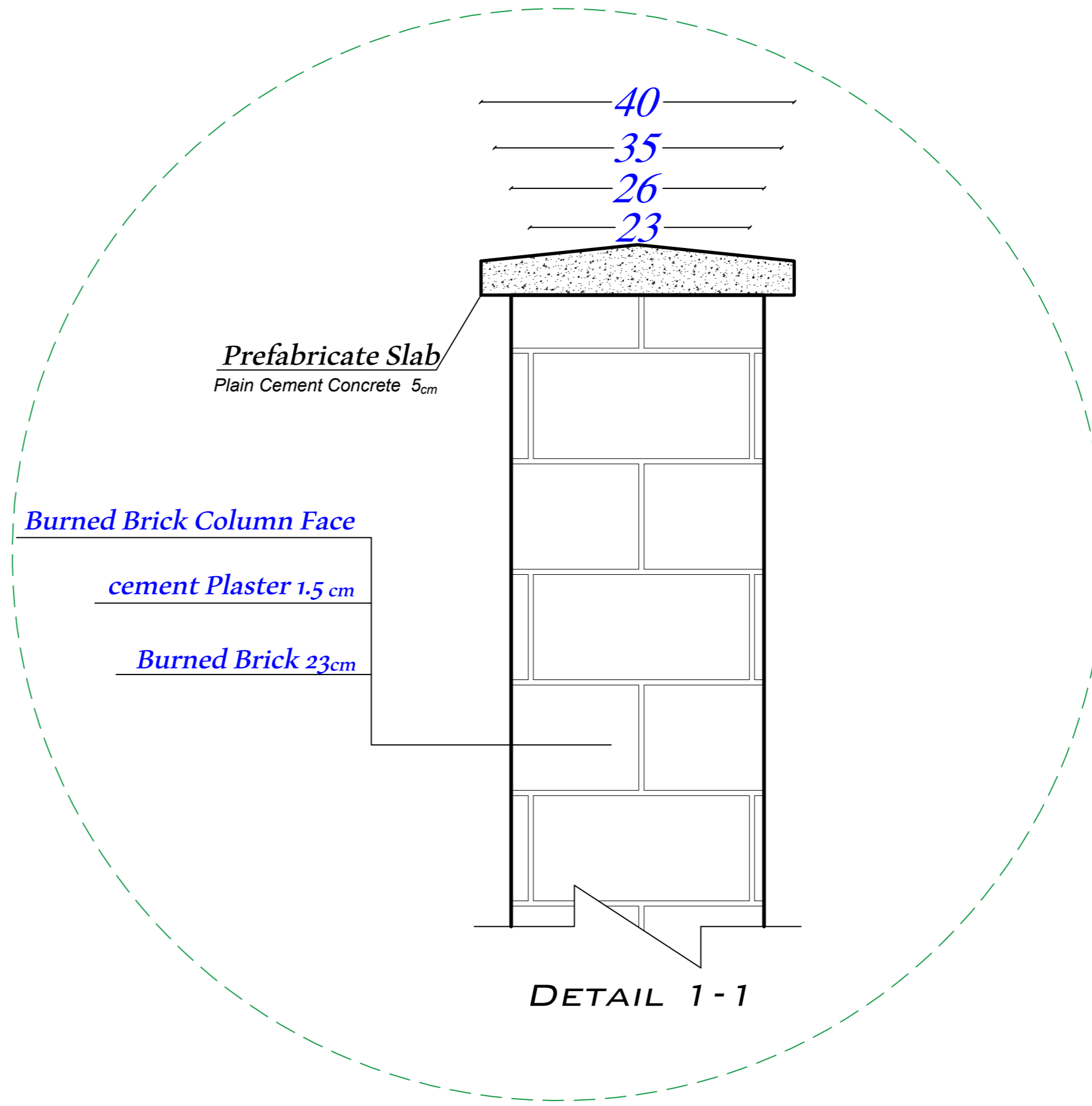
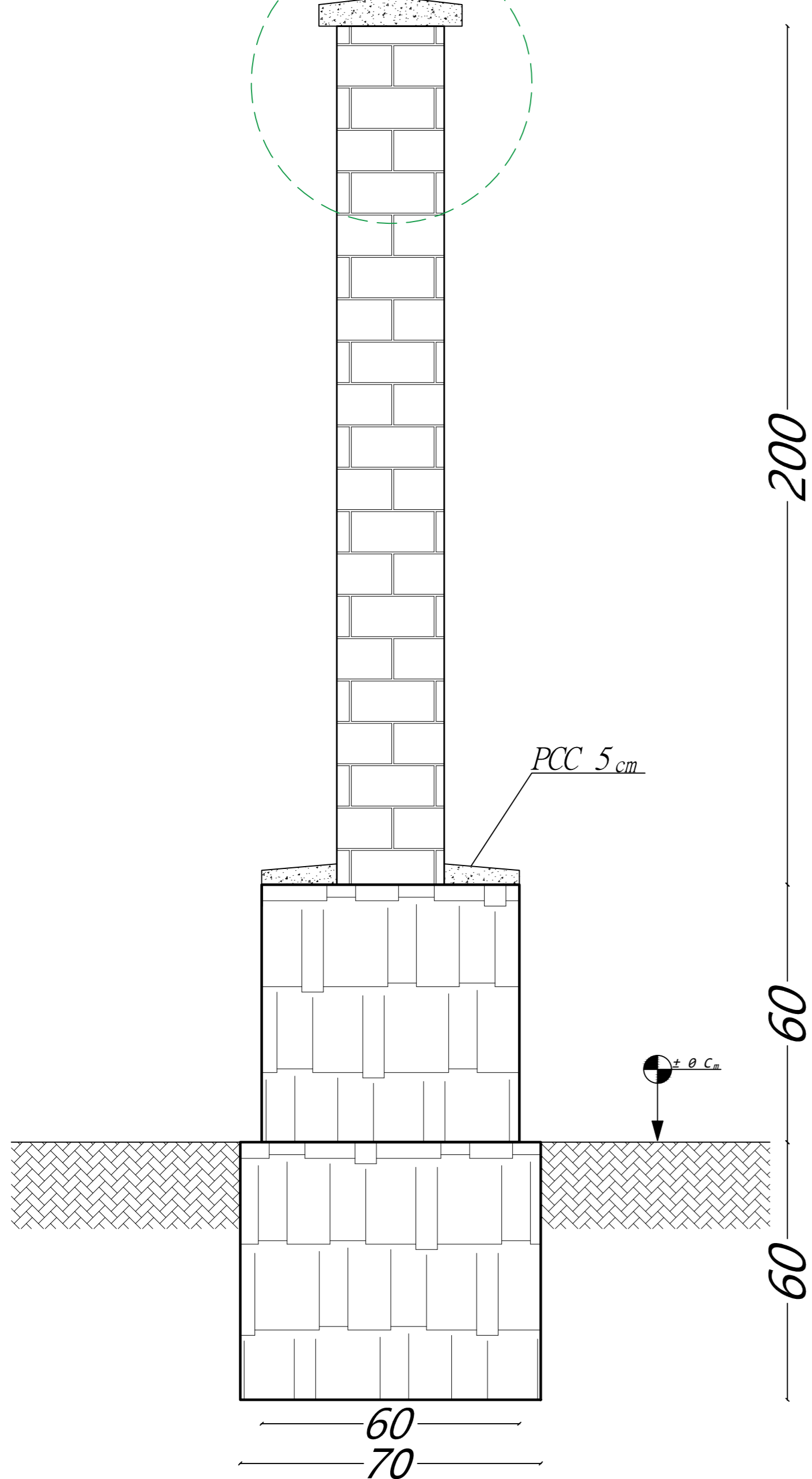
Approved By :

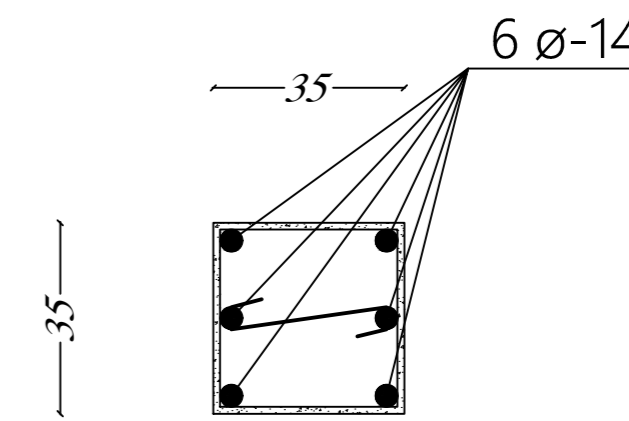
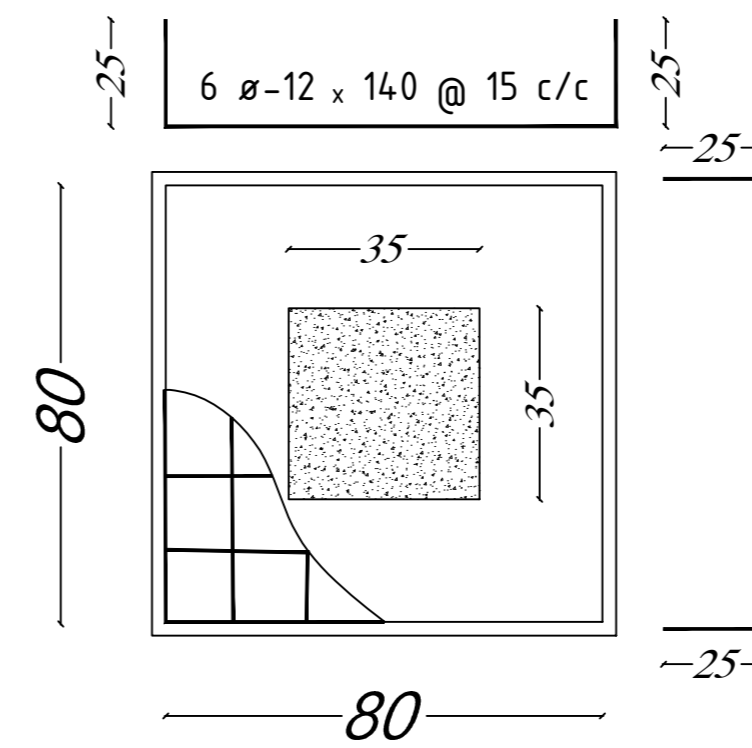
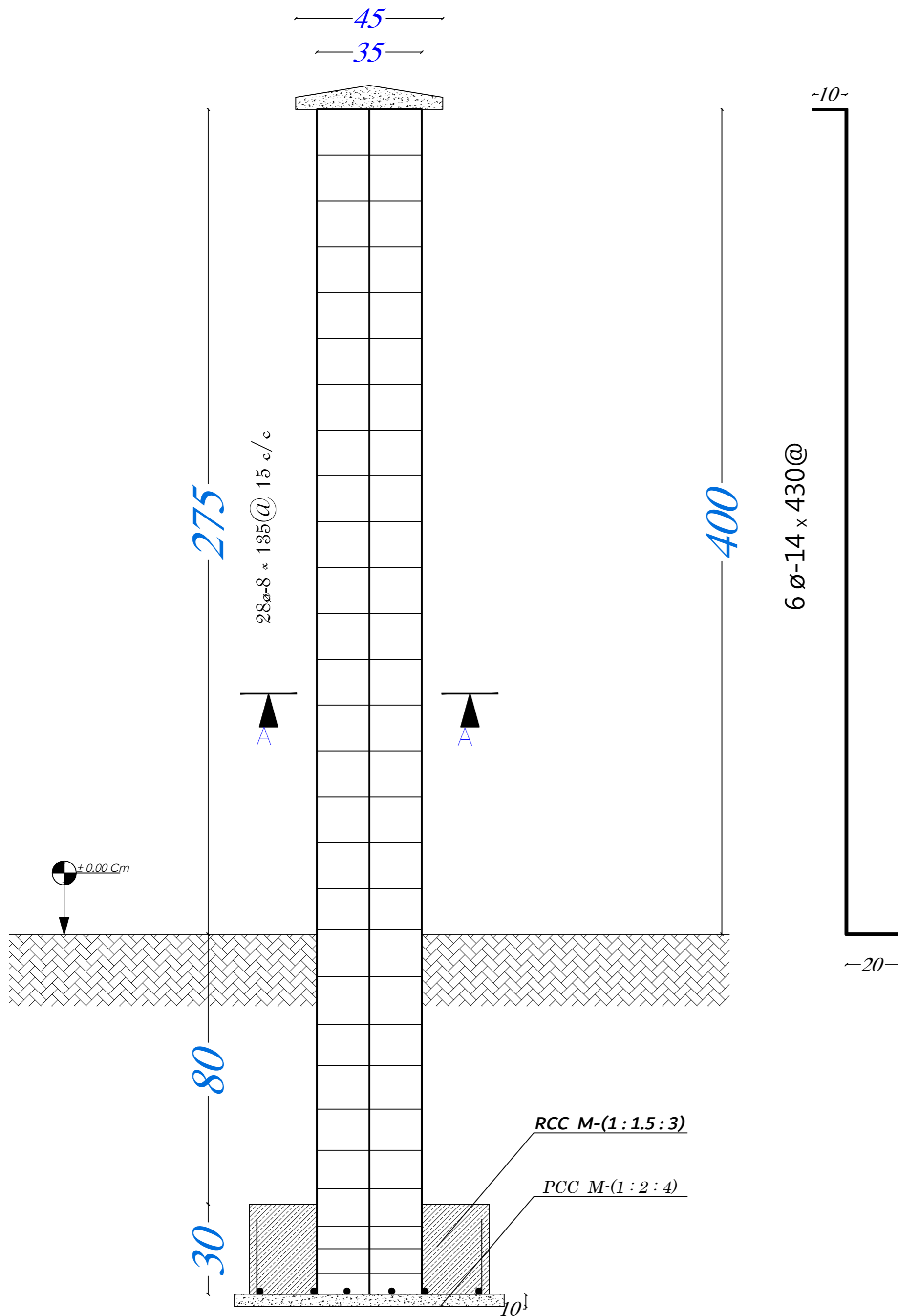
Year :
2023-1402

Signature:

Section A-A

DETAIL 1-1





Section A-A



Save the Children
Sponsorship
Program

Project Name:
School Boundary wall

Drawing Title:
RCC Columns Detail

Design By :
MoE Standard

Drawing Scale :
1 : 100 in dimension

Scale :
Free Scale

CAD:
Ahmad Khalid Raji
Civil Engineer

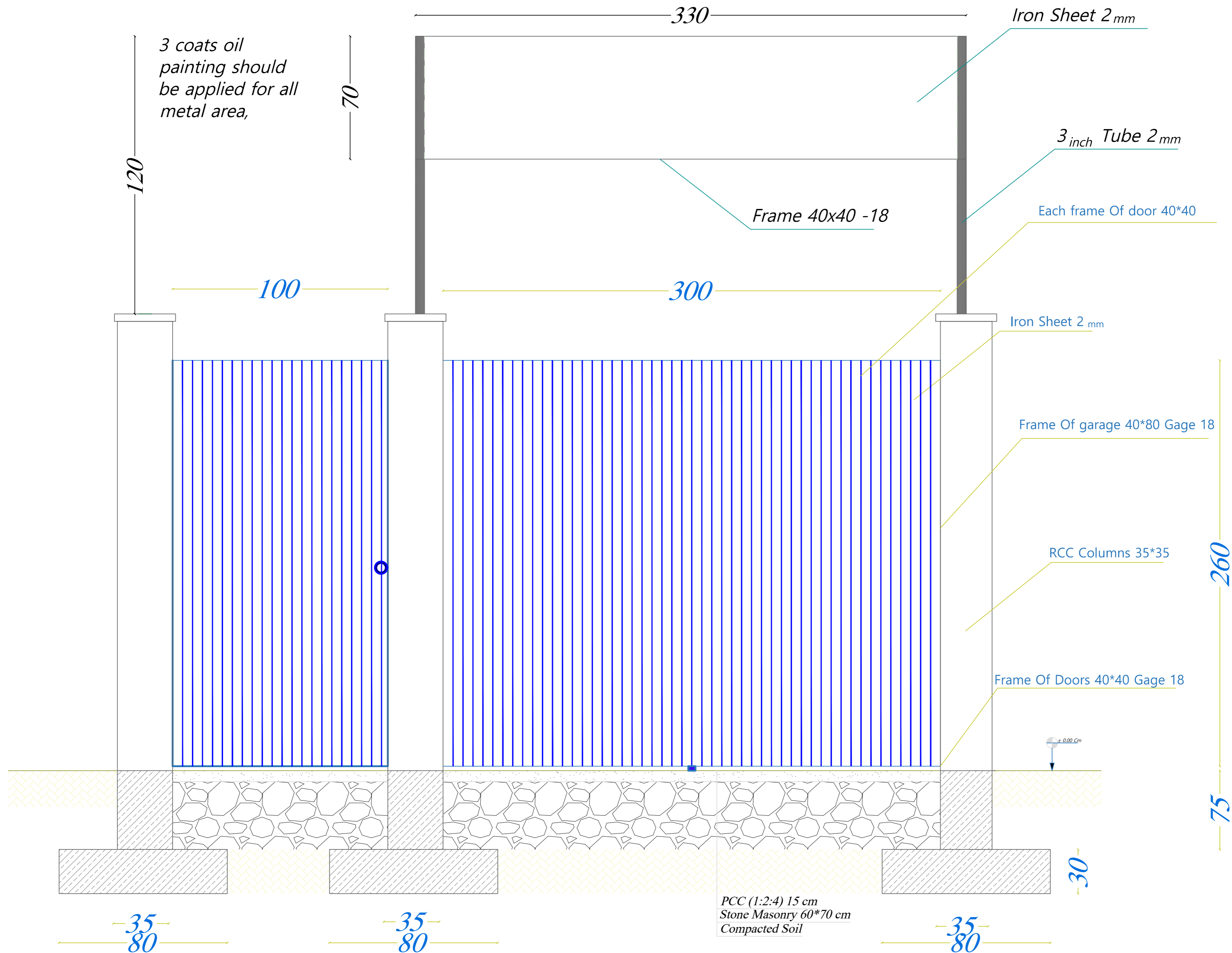
Project Location :
Sponsorship Targeted
Schools

Checked By :

Approved By :

Year :
2023-1402

Signature:



Save the Children
Sponsorship
Program

Project Name:
School Boundary wall

Drawing Title:
Main Entrance

Design By :
MoE Standard

Drawing Scale :
1 : 100 in dimension

Scale :
Free Scale

CAD:
Ahmad Khalid Raji
Civil Engineer

Project Location :

Sponsorship Targeted
Schools

Checked By :

Approved By :

Year :
2023-1402

Signature: